

TEW5280 is designed and approved to be used as a transmit transformer in T1/CEPT applications with the following devices:

- Dallas DS2186
DS2151Q
DS2153Q
- PMC-Sierra PM4341 T1X
PM6431 E1
- AT&T T7290

Complies with ANSI T1.408 and CCITT I.431, with regards to Longitudinal Balance

Typical applications are:

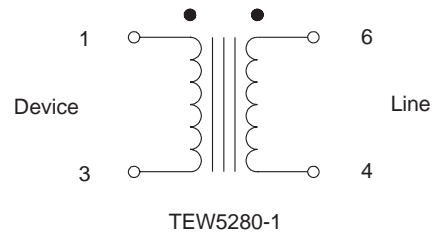
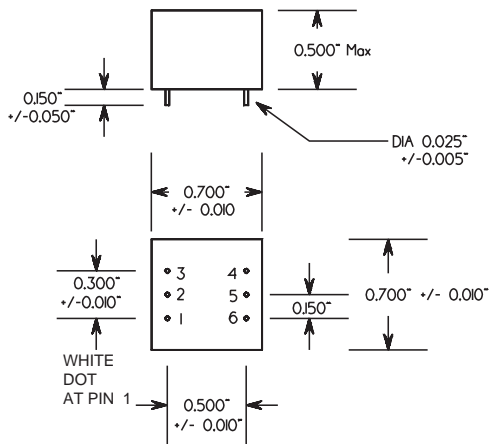
- Primary rate ISDN network nodes.
- PBX or computer to T1/CEPT Digital Trunks.
- TDM Multiplexers.
- Fully encapsulated in epoxy.



BABT certified for reinforced insulation to **EN60950 & EN41003**

Cert # : CR/T/0052

MECHANICAL



ELECTRICAL SPECIFICATIONS

TEW5280 -1

Line Impedance		75, 100 & 120 Ω
DCR (Ohms)	(1 - 3)	0.61
	(6 - 4)	0.77
Turns Ratio	(1 - 3) : (6 - 4)	1 : 1.35
Inductance (mH)	(6 - 4)	> 1.75
Pulse Mask		T1 & CEPT
Longitud. Bal.		T1.408 & I.431
Dielectric Strength (Vrms)		4000

ISSUE:G 96/06/10 5280.chp